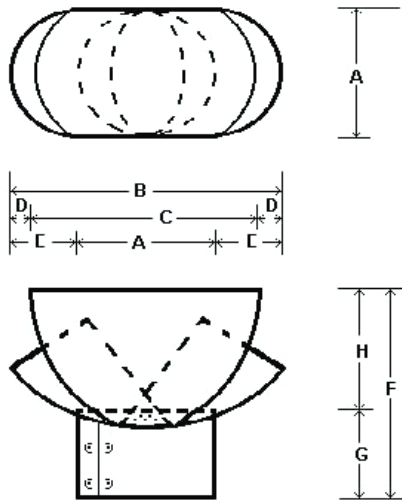


# VACUUM CHIMNEY CAP

*Stainless & Galvanized – Sizes 3" – 12"*



## All Purpose Cap for Gas, Oil, Coal or Wood

Also called Artis Caps, Vacuum Chimney Caps are used for fossil fuel chimneys and are designed to prevent downdraft and/or poor air draws that can be created by wind. This classic design creates a vacuuming effect at the base of the cap, that pulls air and fumes out of your chimney. Available with or without spark arresting screen and the sizes below are designed to fit the outer diameter of your chimney pipe. If installing on a square tile or masonry chimney see our adaptors.

- Increases Efficiency of Stoves and Fireplaces
- Positive Draft Inducing
- Use for Chimney or Building Exhaust
- Can be used with Single, Double or Triple Wall Pipe (Requires Round Chimney Adaptor) or with Vent Base
- Can be adapted to fit Masonry Chimney using Adjustable Tile Adaptor
- Inquire about square connect for tile chimney
- Constructed with Thick-Gauge Metal
- **Materials: Stainless or Galvanized**



| VACUUM CAPS |      |      |       |      |     |       |      |      |
|-------------|------|------|-------|------|-----|-------|------|------|
|             | A    | B    | C     | D    | E   | F     | G    | H    |
| 3"          | 3.0  | 6.0  | 4.25  | 1.75 | 3.0 | 4.75  | 2.5  | 2.5  |
| 4"          | 4.0  | 7.5  | 5.5   | 2.0  | 3.5 | 6.25  | 3.0  | 4.0  |
| 5"          | 5.0  | 8.5  | 7.0   | 1.5  | 3.5 | 6.5   | 3.0  | 3.25 |
| 6"          | 6.0  | 11.0 | 8.5   | 2.5  | 5.0 | 8.0   | 3.5  | 4.75 |
| 7"          | 7.0  | 13.0 | 11.0  | 2.0  | 6.0 | 8.5   | 3.75 | 4.25 |
| 8"          | 8.0  | 14.0 | 11.75 | 2.25 | 6.0 | 9.25  | 3.5  | 5.75 |
| 9"          | 9.0  | 16.0 | 13.5  | 2.5  | 7.0 | 9.5   | 4.0  | 5.5  |
| 10"         | 10.0 | 19.0 | 16.5  | 2.5  | 9.0 | 11.75 | 4.5  | 6.0  |
| 12"         | 12.0 | 21.5 | 17.5  | 4.0  | 9.5 | 11.5  | 4.5  | 6.75 |