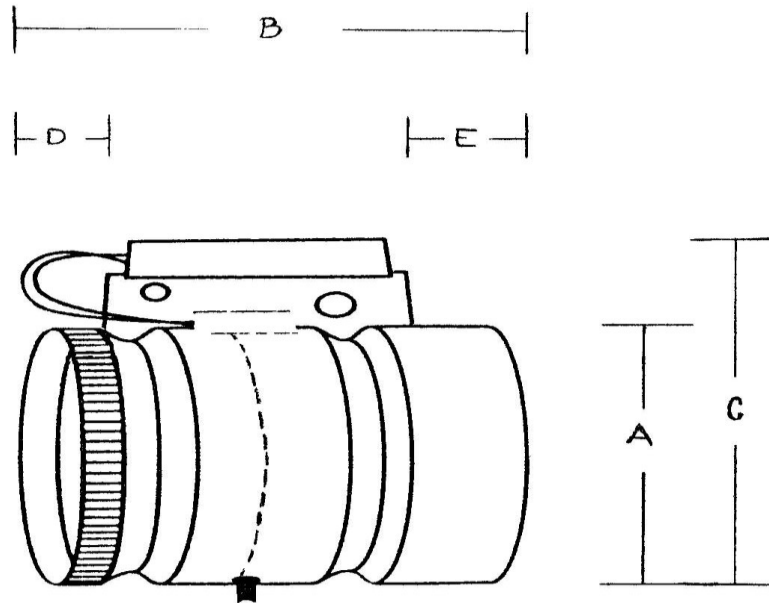


# MOTORIZED ZONE DAMPERS

24 Volt & 120 Volt - Normally Open and Normally Closed Sizes 4" – 12"



|     | A     | B     | C     | D    | E     |
|-----|-------|-------|-------|------|-------|
| 4"  | 4.00  | 6.00  | 7.50  | .25  | .875  |
| 5"  | 5.00  | 6.00  | 8.50  | .25  | .875  |
| 6"  | 6.00  | 6.00  | 10.00 | .25  | .875  |
| 7"  | 7.00  | 7.00  | 10.75 | .75  | 1.25  |
| 8"  | 8.00  | 8.00  | 11.75 | 1.25 | 1.75  |
| 10" | 10.00 | 8.00  | 14.25 | 1.25 | 1.75  |
| 12" | 12.00 | 9.00  | 16.25 | 1.50 | 2.50  |
| 14" | 14.00 | 12.00 | 18.00 | 3.25 | 3.875 |
| 16" | 16.00 | 14.00 | 20.00 | 4.25 | 5.00  |

## Electric Zone Dampers

Motorized Electric Zone Dampers made of thick quality steel, with air tight seal, high quality Erie Motor, and a crimped end. Commonly used in zone systems for commercial and residential applications. Also for controlled exhaust and other HVAC air flow management.



[Click Here to Order Zone Dampers](#)