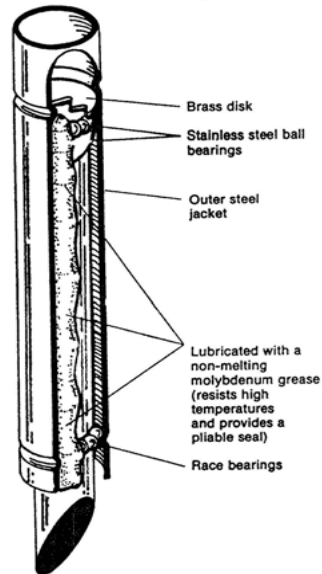
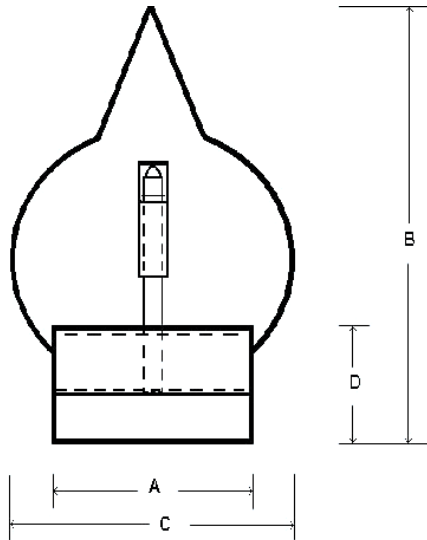


WIND DIRECTIONAL CHIMNEY CAP

Stainless & Galvanized – Sizes 4” – 14”



Collar	A	B	C	D
4"	4	15	11	5
5"	5	15	11	5
6"	6	15	11	5
7"	7	16	12	5
8"	8	16.5	14	5
9"	9	19	16	6
10"	10	20	18	6
12"	12	24	21	7
14"	14	27	24	7

Provides Excellent Draft While Limiting Wind Related Downdrafts

- Increases Efficiency of Stoves and Fireplaces
- Use for Chimney or Building Exhaust
- Can be used with Single, Double or Triple Wall Pipe (**Requires Round Chimney Adaptor**) or with Vent Base
- Can be adapted to fit Masonry Chimney using **Adjustable Tile Adaptor**
- Constructed with Thick-Gauge Metal
- Grease Zerk Installed for Easy Maintenance
- Uses High Temp Molybdenum Grease
- Ready to Install
- **Materials: Stainless (up to 10 Inches) or Galvanized (up to 14 Inches)**



The most effective draft inducing caps are those that separate the wind stream as it flows over the cap and those that rotate to align with the direction of the wind. We supply heavy-duty Wind Directions Caps that provide both of these features.

When the wind blows the pivoted hood is kept in proper position by the vane. Air flow past the hood creates a partial vacuum in the flue, enhancing efficiency and helping to prevent downdraft.